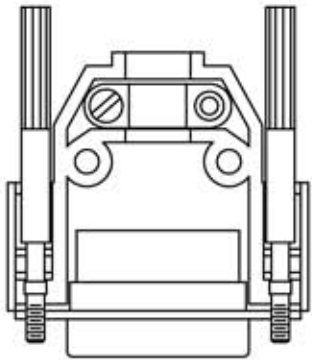
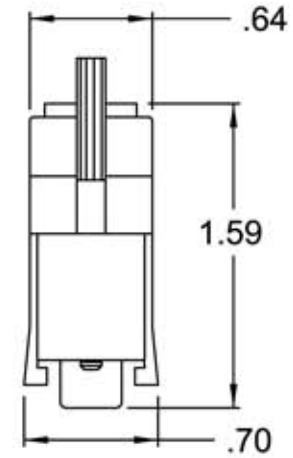
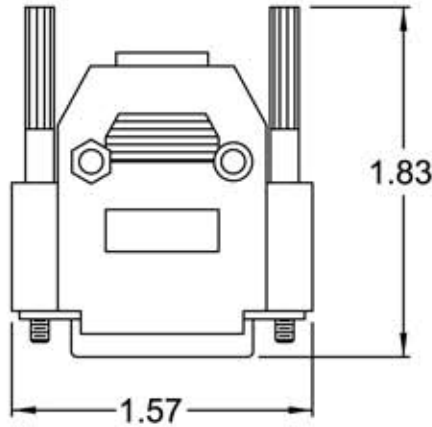
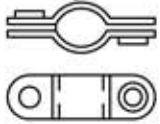
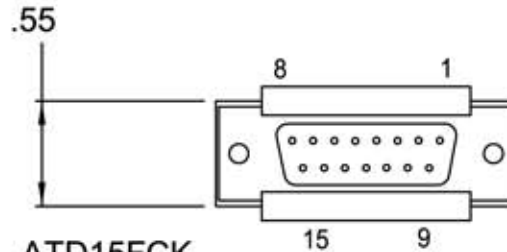


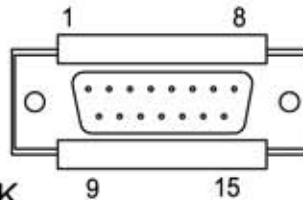
ANTI-STRAIN
CLAMP



INSIDE
VIEW

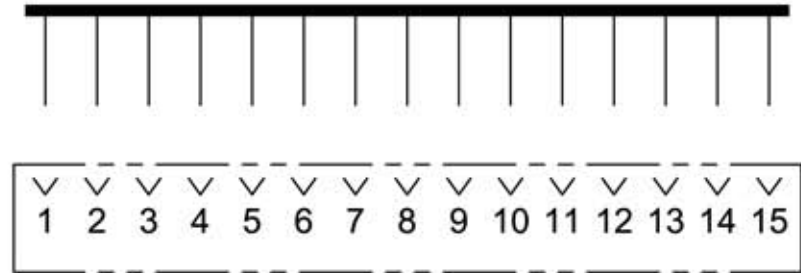


ATD15FCK
FEMALE



ATD15MCK
MALE

15 PINS INCLUDED ON A STRIP
READY FOR CUSTOMER INSTALLATION



DB15M OR DB15F

NOTES:

1. DIM'S ARE REFERENCE.
2. INCH [mm] DIMENSIONS.
3. ALL HARDWARE PROVIDED.



Allen Tel Products, Inc

Allen Tel Products, Inc.

30 TV5 DRIVE • HENDERSON, NV • 89014

**ATD15FCK CONNECTOR KITS
ATD15MCK**