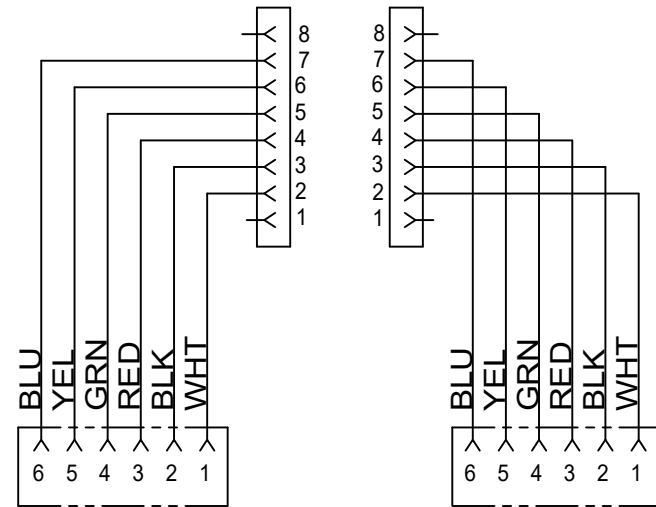
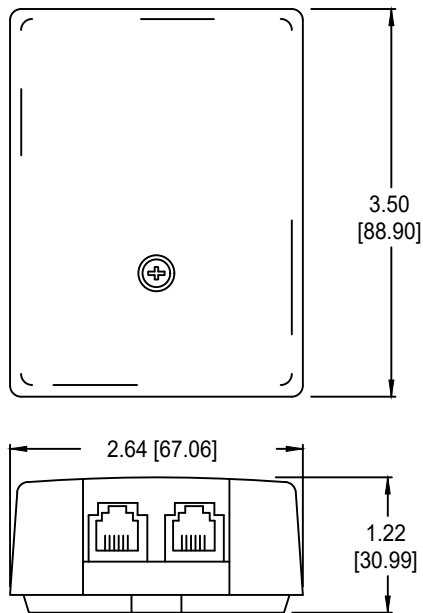
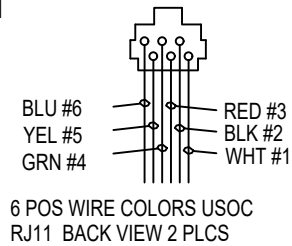


NOTE:

1. WIRING FOR USOC
2. 50 MICRO INCH OF GOLD ON CONTACTS.
3. UL & CSA LISTED.
4. SCREWS INCLUDED FOR MOUNTING
5. INCH [mm] DIM'S (REFERENCE ONLY)



6 POSITION
RJ11



Allen Tel Products, Inc.

30 TV5 DRIVE • HENDERSON, NV • 89014

**AT104-6-52 MODULAR
DUPLEX SURFACE JACK**