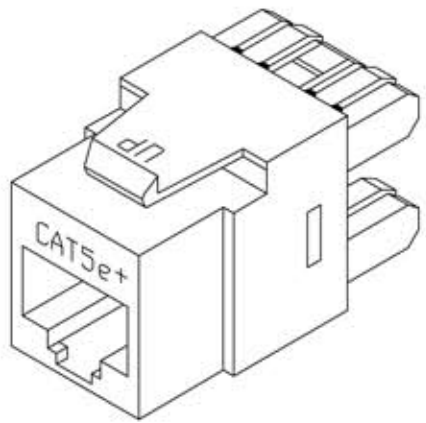
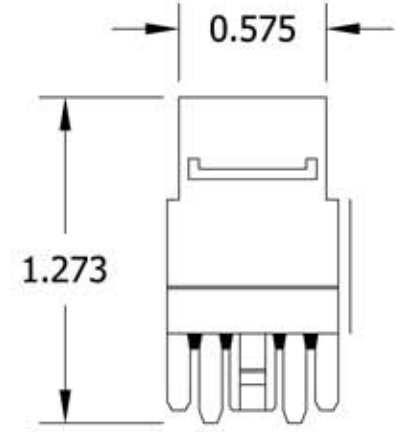
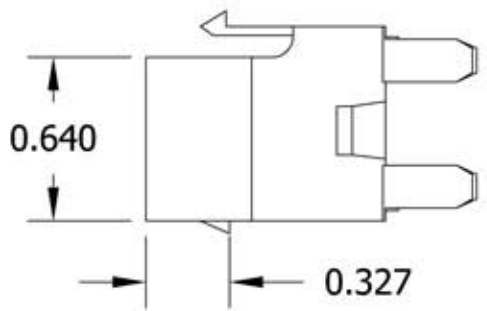
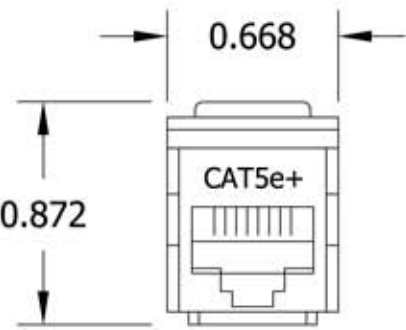


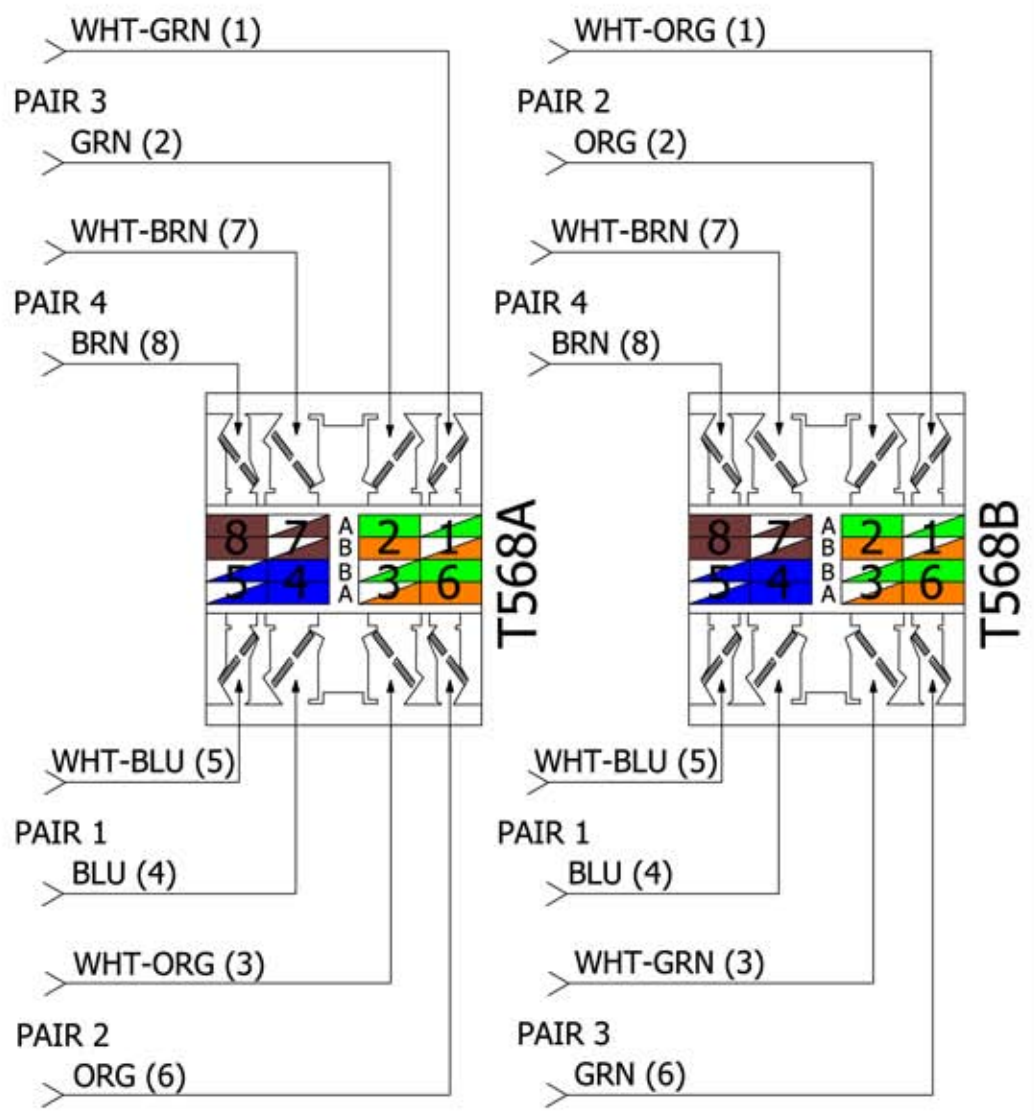
FRONT VIEW

SIDE VIEW



BOTTOM VIEW

- NOTES:**
1. HOUSING: ABS UL94V-0
 2. 110 TERMINATION
 3. COLORS: BLACK, GREEN, IVORY, GREY, YELLOW
WHITE, ORANGE, BLUE, RED, EL. IVORY




ALLEN TEL PRODUCTS, INC.
 30 TV5 DRIVE • HENDERSON, NV • 89014

AT65-XX AT65 CAT5E-HIGH DENSITY JACK