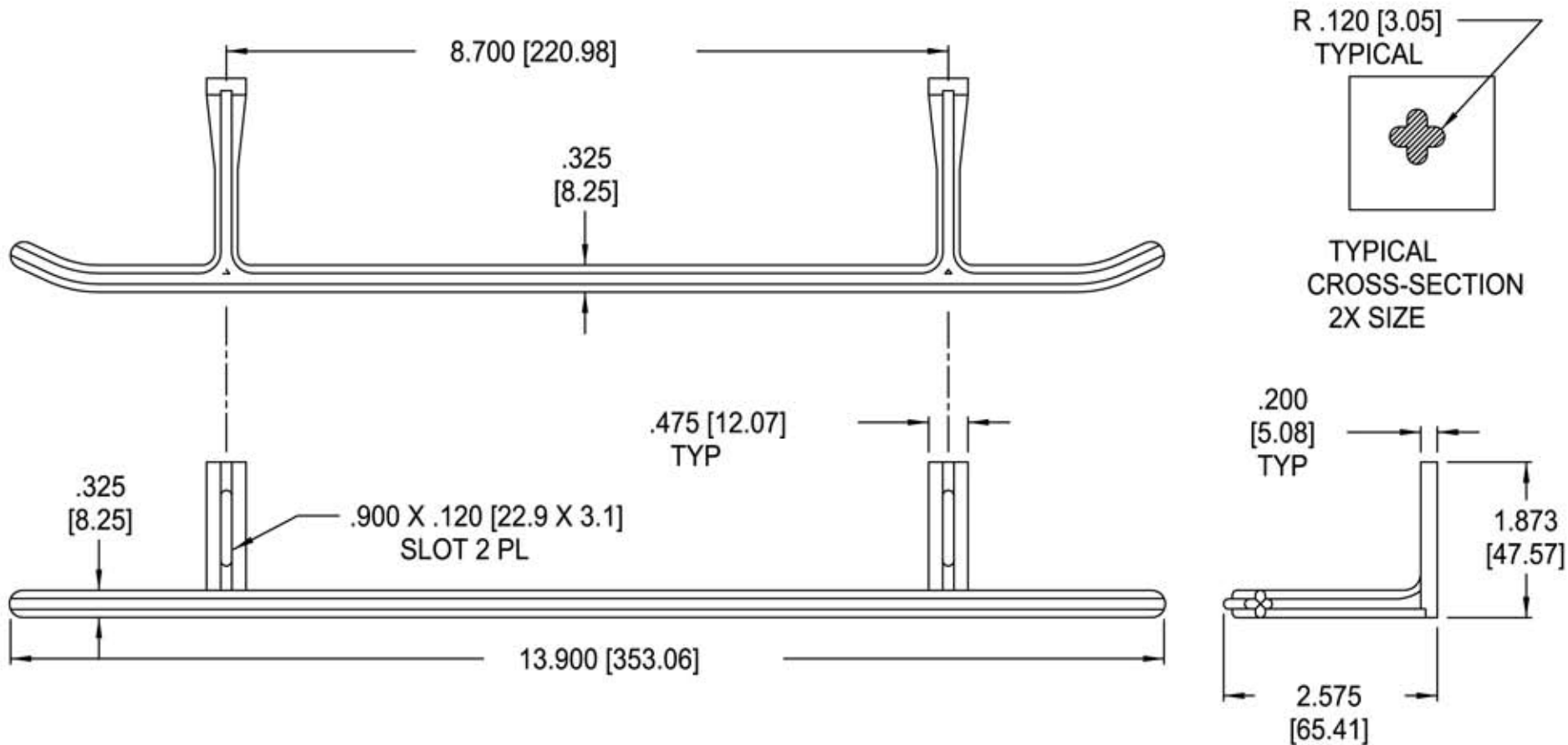


NOTES

- 1. FOUR SHEET METAL SCREWS INCLUDED, #5 SELF-TAPPING TEKS TYPE WITH PHILLIPS HEAD & SOLID WASHER.
- 2. INCH [mm] DIMENSIONS (REF).



Allen Tel Products, Inc.
30 TV5 DRIVE • HENDERSON, NV • 89014

AT55CSB
CABLE SUPPORT BAR