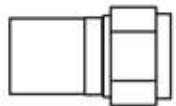
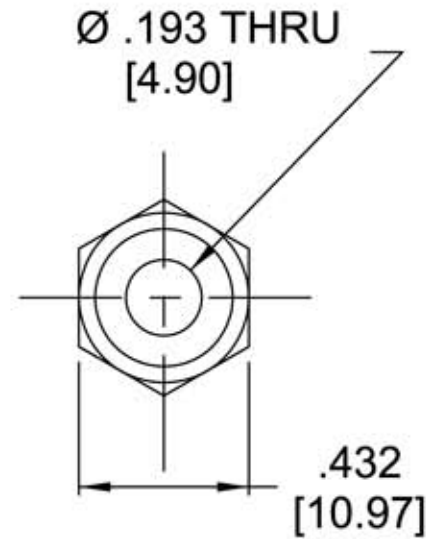
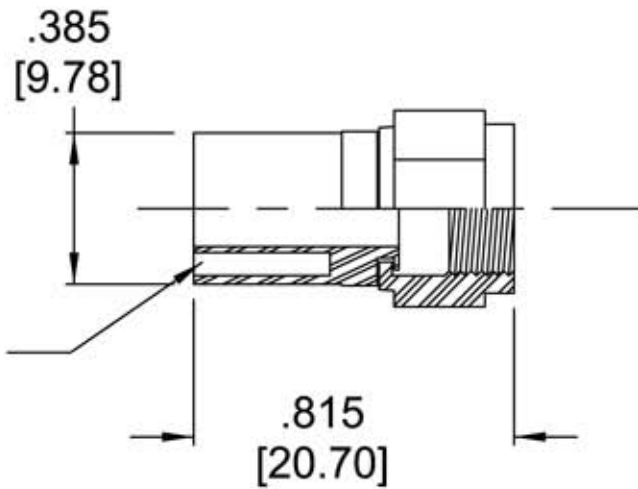


NOTES:

- 1. BRASS AND ZINC BODY, NICKEL PLATED
- 2. ALL DIMENSIONS ARE REFERENCE

FILLED WITH
GEL



FULL SIZE



Allen Tel Products, Inc.
30 TV5 DRIVE • HENDERSON, NV • 89014

CT732MP
MOISTURE PROOF FOR STD RG-6 CABLE