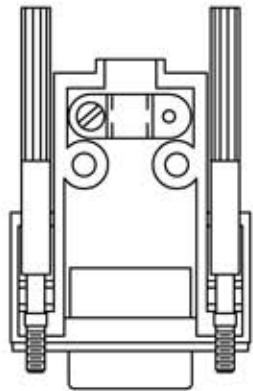
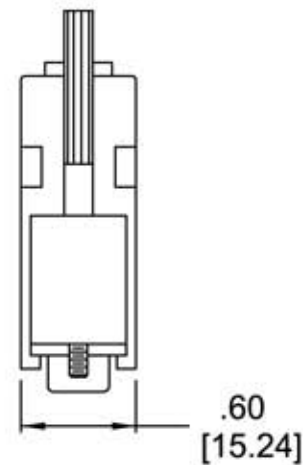
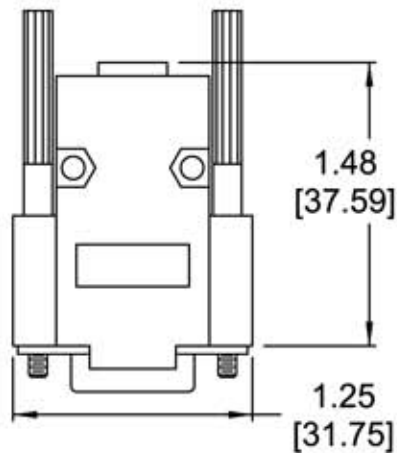
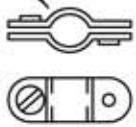
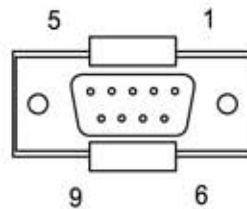


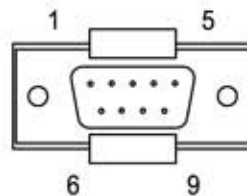
ANTI-STRAIN
CLAMP



INSIDE
VIEW

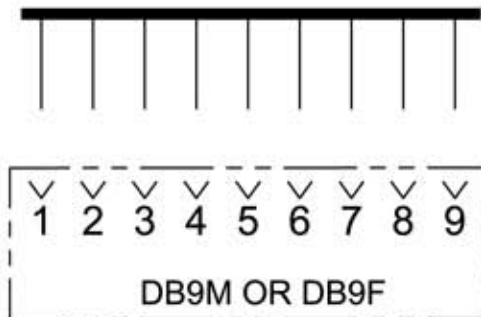


ATD9FCK
FEMALE



ATD9MCK
MALE

9 PINS INCLUDED ON
A STRIP READY FOR
CUSTOMER INSTALLATION



NOTES:

1. DIM'S ARE REFERENCE
2. INCH [mm] DIMENSIONS
3. ALL HARDWARE PROVIDED
4. 24/26 GAUGE WIRE
5. PINS ARE PLATED WITH 6 MICRO INCHES OF GOLD



Allen Tel Products, Inc.

30 TV5 DRIVE • HENDERSON, NV • 89014

**ATD9FCK CONNECTOR KITS
ATD9MCK**