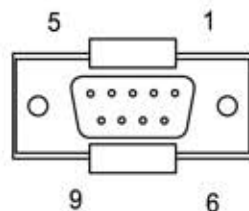
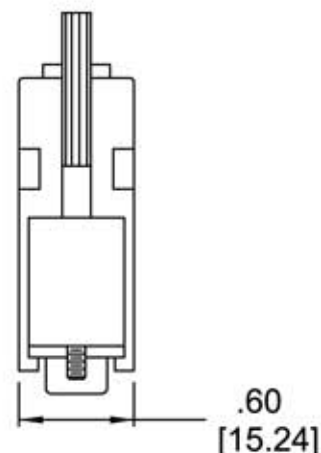
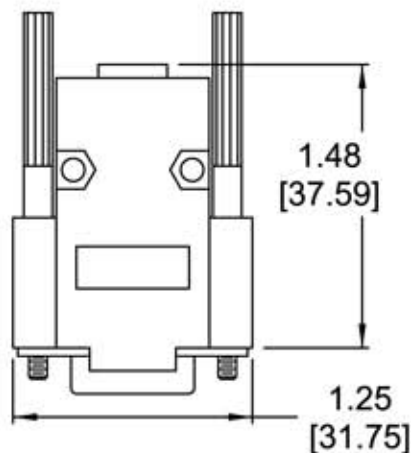
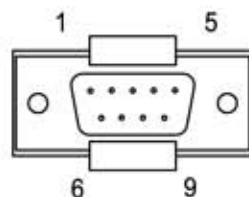


INSIDE VIEW

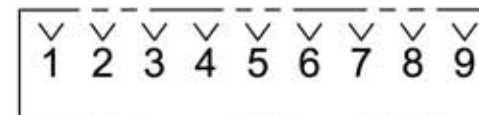


ATD9FCKS FEMALE



ATD9MCKS MALE

9 PINS INCLUDED ON A STRIP READY FOR CUSTOMER INSTALLATION



DB9M OR DB9F

NOTES:

1. DIM'S ARE REFERENCE.
2. INCH [mm] DIMENSIONS.
3. ALL HARDWARE PROVIDED.
4. PLASTIC HOODS ARE METALIZED FOR SHIELDING (EMI).
5. 24/26 GAUGE WIRE
6. PINS ARE PLATED WITH 6 MICRO INCHES OF GOLD



Allen Tel Products, Inc.

30 TV5 DRIVE • HENDERSON, NV • 89014

**ATD9FCKS SHIELDED CONNECTOR
ATD9MCKS KITS**