

MATERIAL:

PLASTIC BODY POLYCARBONATE (PC)
FLAME RATING - 94VO

CONTACT BLADE:

HIGH STRENGTH COPPER ALLOY

PLATING:

FIFTY MICRO INCHES OF GOLD SELECTIVELY
PLATED OVER 100 MICRO INCHES OF NICKEL.

ELECTRICAL:

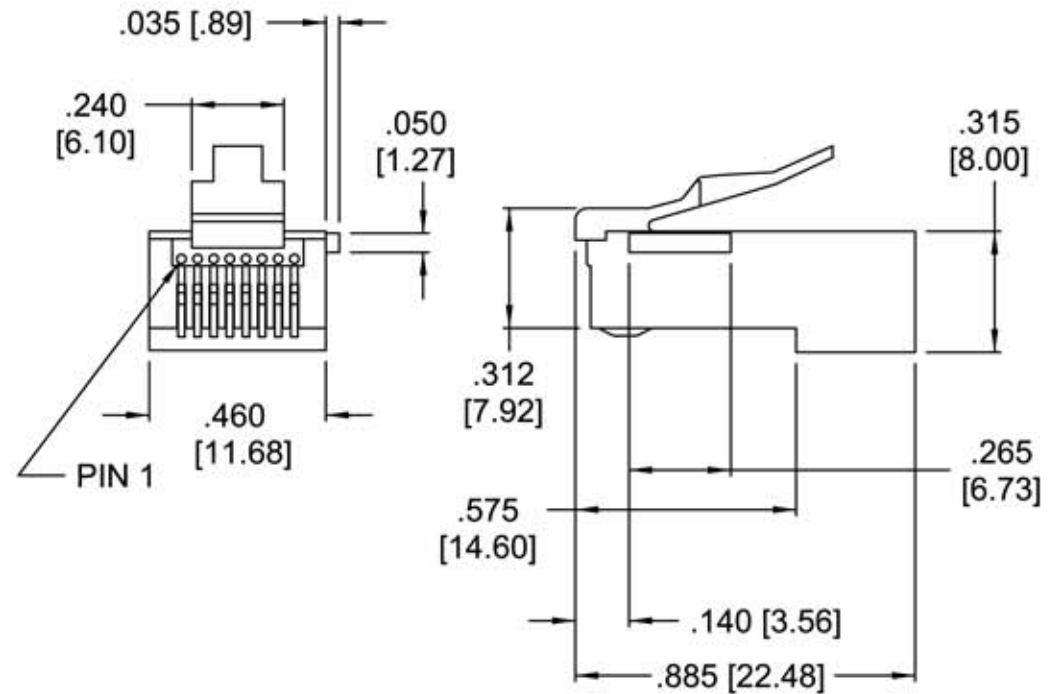
DIELECTRIC WITHSTANDING VOLTAGE 500 VAC
INSULATION RESISTANCE 500 MEGOHMS
TERMINAL RESISTANCE 35 MILLIOHMS
TERMINAL RATING 250 VAC MAX AT 2 AMPS

MECHANICAL:

MINIMUM CONTACT FORCE - 100 GRAMS
INSERTION FORCE LESS THAN 5 LBS.
PULL OFF FORCE - 10 LBS. MIN.
DURABILITY - 200 MATING CYCLES
CORD PULL OFF FORCE - 20 LBS. MIN

FOR WIRE TYPE:

STRANDED 22 TO 26 GAGE
'FLAT' WIRE



Allen Tel Products, Inc.

30 TV5 DRIVE • HENDERSON, NV • 89014

**AT8X8K
KEYED MODULAR PLUG 8C8P**

