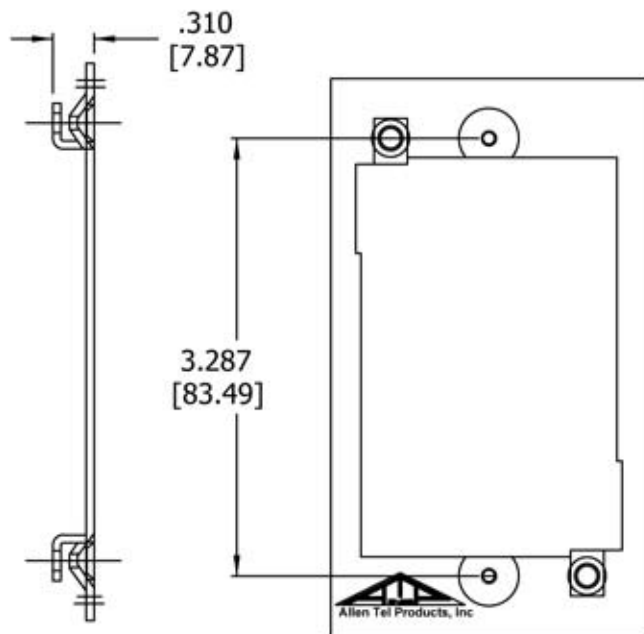
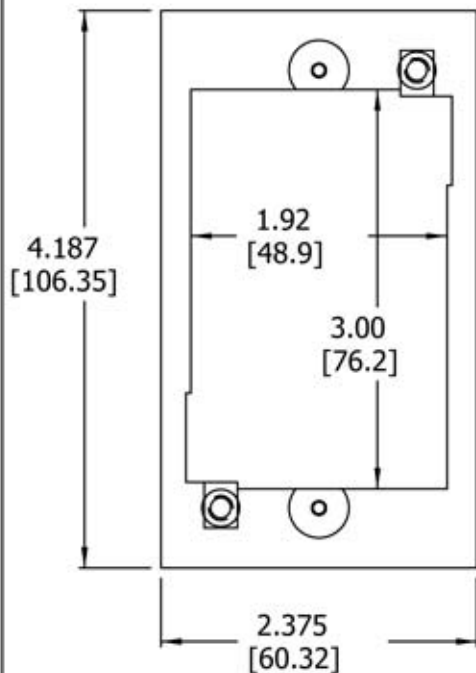


## NOTES

1. HARDWARE INCLUDED.
2. INCH [mm] DIM'S ARE REFERENCE.



**ALLEN TEL PRODUCTS, INC.**

30 TV5 DRIVE • HENDERSON, NV • 89014

**AT90 MOUNTING FRAME**