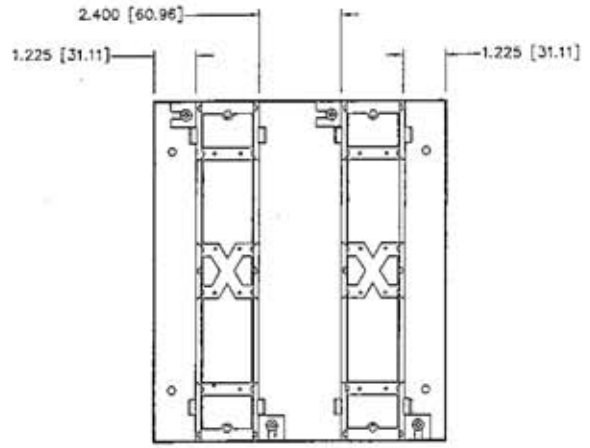
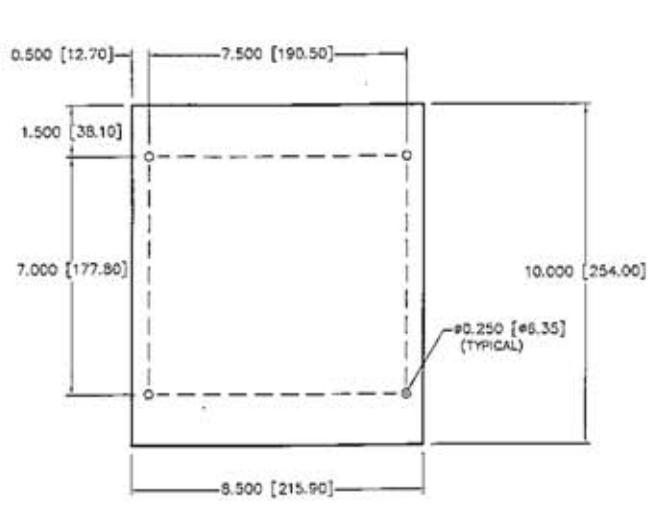



REVISIONS			
REV	DESCRIPTION	DATE	APPROVED



NOTE:
DIMENSIONS ARE IN INCHES [mm]

<small>UNLESS OTHERWISE SPECIFIED DIMENSIONS ARE IN INCHES :</small> <small>FRACTIONS DECIMALS ANGLES</small> <small>± 1/32 ± .015 ± 9 30'</small>	CONTRACT NO.		 Allen Tel Products, Inc. <small>30 TVS DRIVE • HENDERSON, NV • 89014</small>	
	CTRL			
MATERIAL	APPROVALS	DATE	GB183C1 BACKBOARD	
0.500" PRESSBOARD	DRAWN JON	06-09-2011		
FINISH	CHECKED	DATE	SIZE	FSOM NO.
	PAINT	ANGEL	06-09-2011	B
	ISSUED	DATE	FIG NO.	REV
	<i>Angel</i>	06-09-2011	11136	GB183C1
DO NOT SCALE DRAWING	FILE:	DATE	SCALE	REV
		06-09-2011	NONE	---