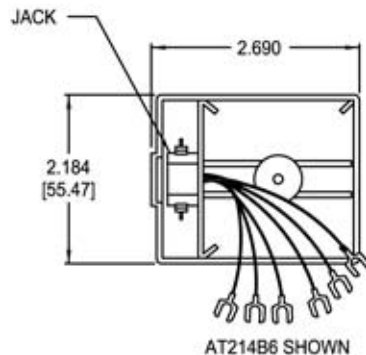
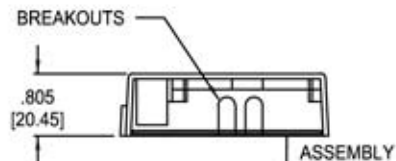
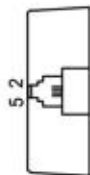
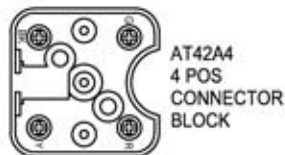
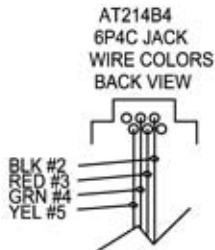


NOTES:

1. MODULAR JACK CONTACTS 30 MICROINCHES OF GOLD.
2. PLASTIC MATERIAL - ABS UL94V-0.
3. INCH [mm] DIMENSIONS



Allen Tel Products, Inc.

30 TVS DRIVE • HENDERSON, NV • 89014

AT214B4  
SURFACE JACK