

CHANNEL COMPARISON	CAT5e	PERFORMANCE CHOICE CAT5e
INSERT LOSS	24.0 dB	22.8 dB
PS-NEAR END CROSS TALK(NEXT)	27.1 dB	30.5 dB
POWER SUM ACR	3.1 dB	7.7 dB
MAXIMUM FREQUENCY	100MHz	155MHz - 350MHz*
INDEPENDENTLY TESTED	NO	YES
POSITIVE PS-ACR (155MHz)	NO	YES

\*MEASURED PERFORMANCE

TWISTED PAIR	568B COLORS	PINS
PAIR 1	BLU - WHT/BLU	4/5
PAIR 2	GRN - WHT/GRN	6/3
PAIR 3	ORG - WHT/ORG	2/1
PAIR 4	BRN - WHT/BRN	8/7

TEMPERATURE SPECIFICATIONS		
OPERATING	STORAGE	INSTALLATION
-4 °F ~ 185 °F	-22 °F ~ 185 °F	-22 °F ~ 185 °F

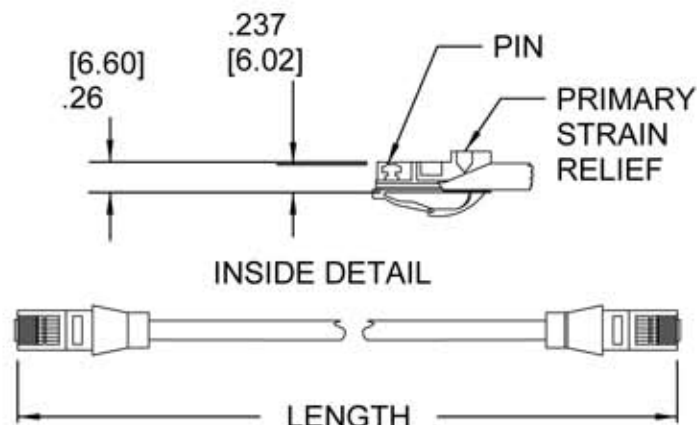
OUTER JACKET COLORS:	
XX = COLOR	
P = PURPLE	GY = GREY
WH = WHITE	I = IVORY
YL = YELLOW	BK = BLACK
BU = BLUE	GN = GREEN
RD = RED	OR = ORANGE

PLUG ASSY:

POLYCARBONATE, 94V-0, THE CONTACT AREA OF BLADES IS SELECTED PLATED WITH 50micro-INCHES OF HARD GOLD OVER 100micro-INCHES OF NICKEL.

CAT.5EV HARDWARE CABLE:

1. FIRE RETARDANT PVC COMPOUNDS.
2. ALLEN TEL PRODUCTS E131692 (UL) CM 75 °C, 4 PAIR, 24 AWG.
3. CSA LISTING LL64151 CMG FT4.
4. VOLT RATING: 300V
5. ETL & 3P VERIFIED TO TIA/EIA-568-B.2- ISO/IEC 11801 & EN 50173  
CAT. 5e PATCH CORD---UTP.



PART #	LENGTH	
	FT	METRIC
AT1501EV-XX	1	305 MM
AT1502EV-XX	2	609 MM
AT1503EV-XX	3	914 MM
AT1505EV-XX	5	1524 MM
AT1507EV-XX	7	2134 MM
AT1510EV-XX	10	3048 MM
AT1514EV-XX	14	4267 MM
AT1518EV-XX	18	5486 MM
AT1525EV-XX	25	7620 MM
AT1550EV-XX	50	15240 MM
AT15100EV-XX	100	30480 MM



ALLEN TEL PRODUCTS, INC.  
30 TV5 DRIVE • HENDERSON, NV • 89014

AT15XXEV-XX CAT 5e PATCH CORDS  
WIRED TO TIA-568B

