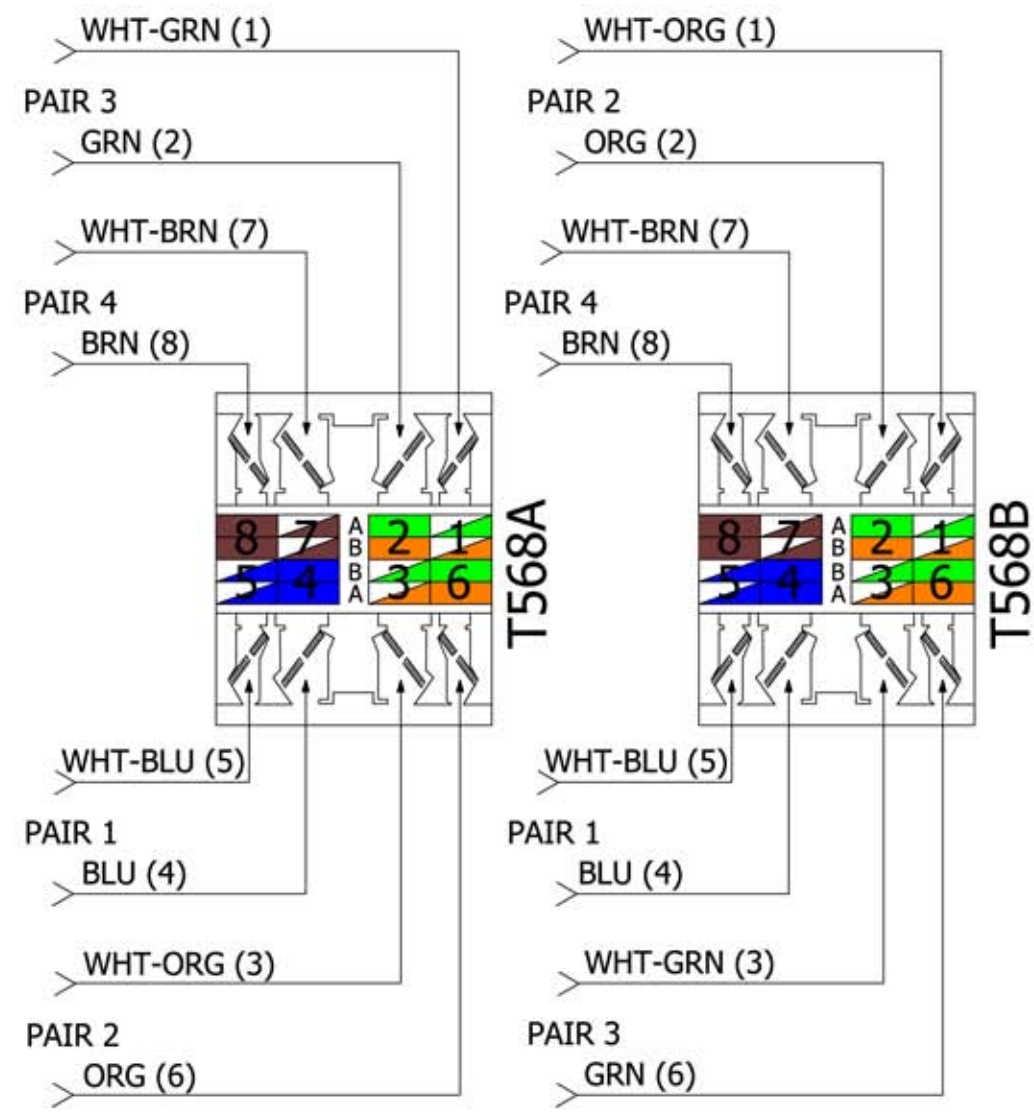
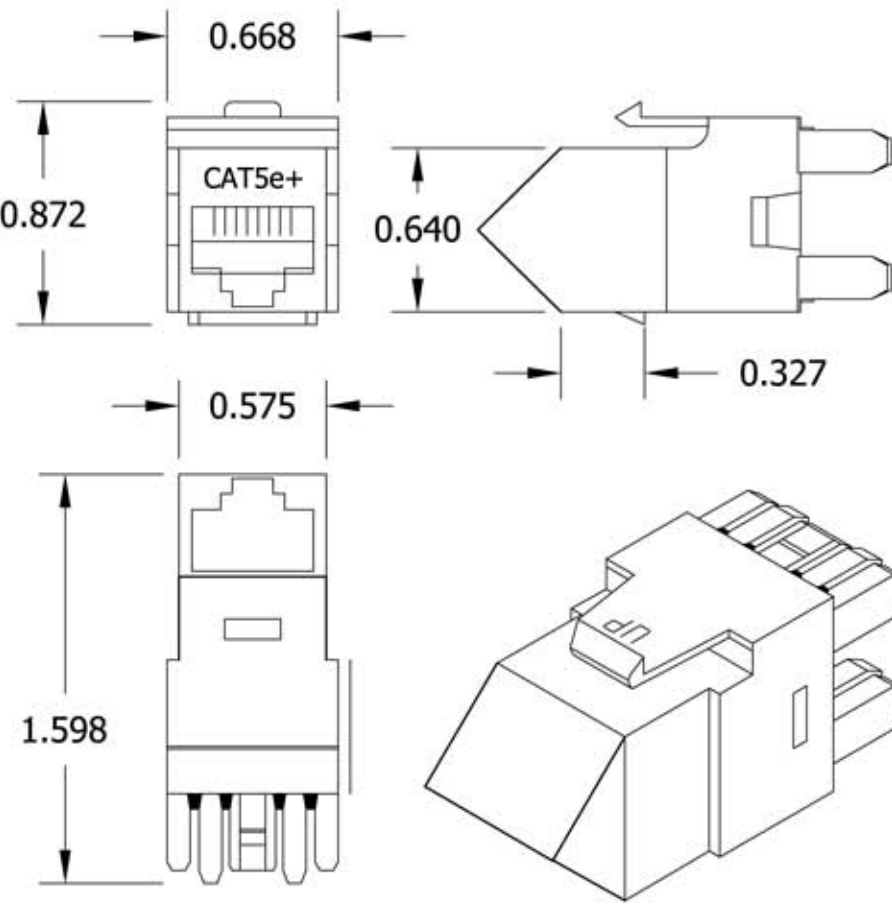


## FRONT VIEW

## SIDE VIEW



## BOTTOM VIEW

### NOTES:

1. HOUSING: ABS UL94V-0
2. 110 TERMINATION
3. COLORS: BLACK, GREEN, IVORY, GREY, YELLOW  
WHITE, ORANGE, BLUE, RED, EL. IVORY



E131692



**ALLEN TEL PRODUCTS, INC.**

30 TV5 DRIVE • HENDERSON, NV • 89014

**AT65EZ-AGL-XX**  
**CAT5e ANGLED EZ JACK MODULE**