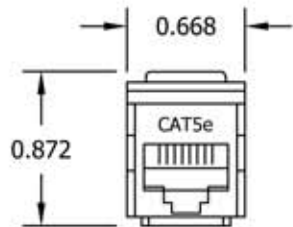
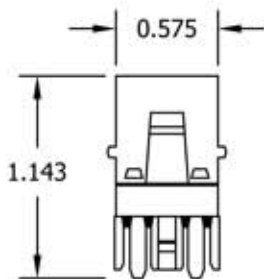
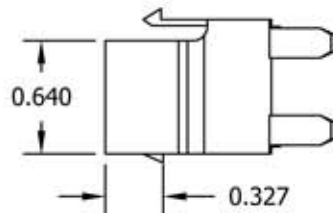


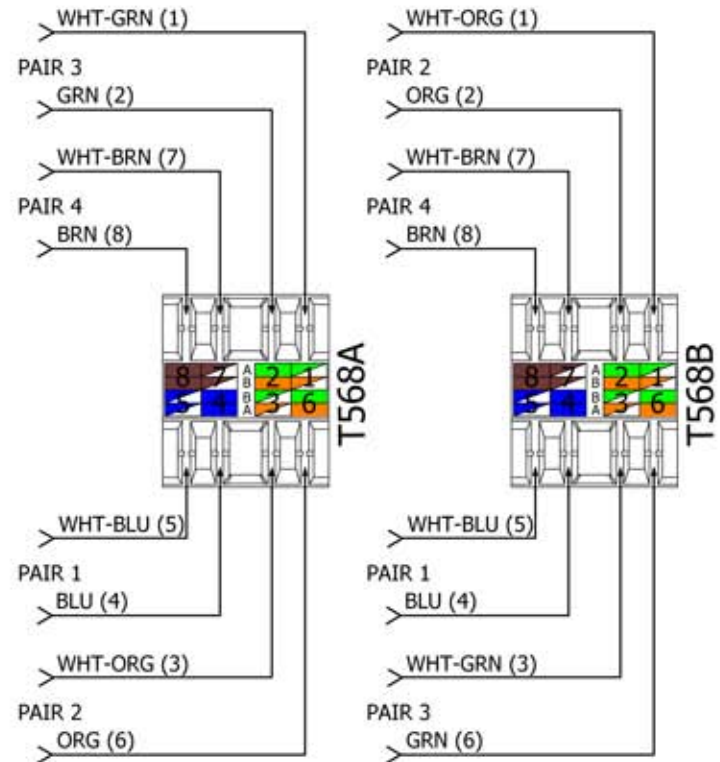
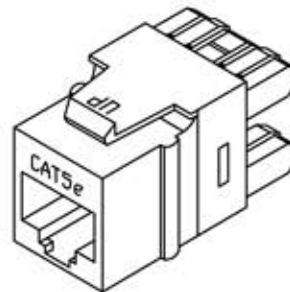
FRONT VIEW



SIDE VIEW



BOTTOM VIEW



NOTES:

1. HOUSING: ABS UL94V-0
2. 110 TERMINATION
3. DIMENSIONS ARE IN INCHES [mm]

XX=COLOR	
00-BLACK	15-WHITE
04-YELLOW	16-ORANGE
05-GREEN	20-BLUE
09-IVORY	47-RED
14-GREY	52-EL. IVORY



ALLEN TEL PRODUCTS, INC.  
30 TV5 DRIVE • HENDERSON, NV • 89014

AT65EZ-XX  
CAT 5e E-Z JACK MODULE