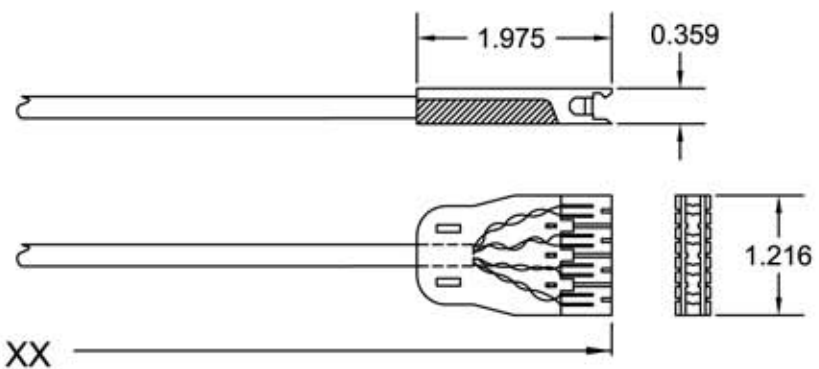


T568B WIRING

WIRE TABLE (TWISTED PAIR)		
PIN	PAIR	COLOR
1	2	WHITE/ORANGE
2		ORANGE
3	3	WHITE/GREEN
6		GREEN
4	1	BLUE
5		WHITE/BLUE
7	4	WHITE/BROWN
8		BROWN



CABLE SPECIFICATION

ITEM		SPEC.
CENTER CONDUCTOR	MATERIAL	BARE COPPER WIRE
	CONSTRUCTION mm/NO.	0.20mm/ 7C
	O.D. mm	0.20mm
INSIDE INSULATION	MATERIAL	PE
	O.D. mm	1.0 ±0.1*8F
	COLOR	REF.
PVC JACKET	MATERIAL	PVC
	O.D. mm	5.4 ±15
	COLOR	REF.

GB110PC645-XX

XX - LENGTH IN FEET
03
05
07
10
15

CHANNEL COMPARISON	CAT6	VIP 2000
INSERT LOSS (250MHz)	36.0dB	34.0dB
PS-NEAR END CROSS TALK(NEXT) (250MHz)	30.2dB	34.0dB
RETURN LOSS (250MHZ)	8.0dB	10.0dB
INDEPENDENTLY TESTED	NO	YES
POSITIVE PS-ACR (250 MHz)	NO	YES

NOTES:

- 110 TO RJ45 PLUG CONFIGURATION
- WIRED FOR T568B WIRING SCHEME



Allen Tel Products, Inc.
30 TV5 DRIVE • HENDERSON, NV • 89014

GB110PC645-XX
CAT6 110 PATCH CORDS AND PLUG ASSEMBLY