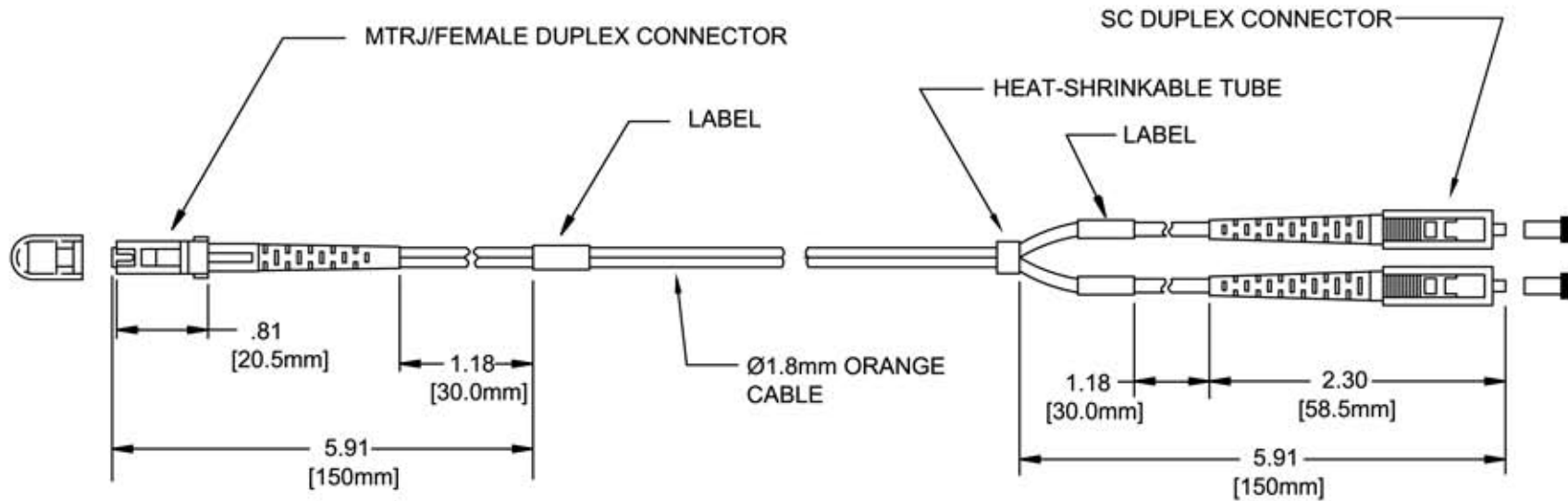


NOTE:
DIMENSIONS IN INCHES [mm]



SPECIFICATIONS

PARAMETER	UNITS	
INSERTION LOSS	dB	<0.3(<0.5 for MTRJ)
DURABILITY (500 TIMES)	dB	<0.3(<0.5 for MTRJ)
OPERATING TEMPERATURE	°C	-40~+85
STORAGE TEMPERATURE	°C	-40~+85
TYPICAL CABLE OD	mm	Ø1.8

FEATURES

- * MTRJ-D2 CONNECTORS ARE COMPLIANT IEC-60874-16; F12 (JIS C5981); TIA/EIA-604-12
- * SC CONNECTORS ARE COMPLIANT IEC 60874-14; FO4 (JIS C5973); TIA/EIA-640-3A
- * PRODUCT QUALITY COMPLY WITH GR-326-CORE

PART#: GBMFC-D2-XX

LENGTH (METERS)

01, 02, 03, 04, 05, 06, 07,
08, 09, 10, 15, 20, 25, 30



Allen Tel Products, Inc.

30 TV5 DRIVE • HENDERSON, NV • 89014

**GBMFC-D2-XX MTRJ/FEMALE TO SC DUPLEX
MULTIMODE 62.5/125 (ORANGE JACKET)**

