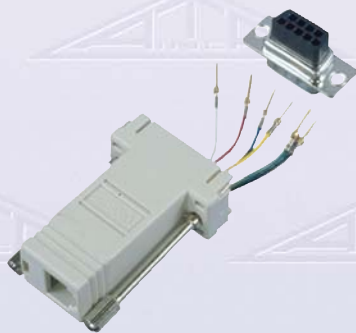


Data Accessories

Data Adapter Kit

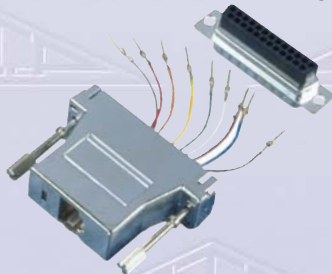
- Adapter allows connection between 9 and 15-pin equipped devices with DB-type connectors to standard telephone wiring utilizing modular jacks
- The 6-conductor RJ14 modular jack may be connected in the field to male or female pins which snap into the appropriate 9 or 15-pin DB connector body
- See Page 97 for wiring diagrams
- UL Listed and CSA Listed



Part Number	Part Description	Std. Pkg. Qty.	Std. Ctn. Qty.
ATDB9F-6	6-cond. jack to female 9-pin DB	1	50
ATDB9F-8	8-cond. jack to female 9-pin DB	1	50
ATDB9M-6	6-cond. jack to male 9-pin DB	1	50
ATDB9M-8	8-cond. jack to male 9-pin DB	1	50
ATDB15F-6	6-cond. jack to female 15-pin DB	1	50
ATDB15F-8	8-cond. jack to female 15-pin DB	1	50
ATDB15M-6	6-cond. jack to male 15-pin DB	1	50
ATDB15M-8	8-cond. jack to male 15-pin DB	1	50
ATDB9F-DEC	6-cond. DEC jack to female 9-pin DB	1	50
ATDB9M-DEC	6-cond. DEC jack to male 9-pin DB	1	50

Shielded Adapter Kit

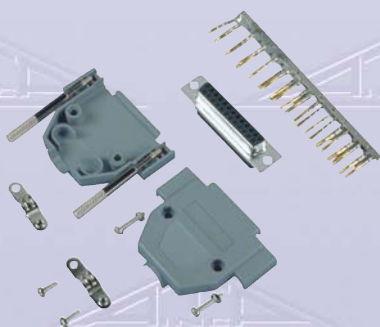
- Metalized plastic hood e/w thumb screws for easy installation
- 9 and 25-pin DB connectors with an integral RJ45 non-keyed 8-contact modular jack e/w pre-terminated male or female contacts
- See Page 97 for wiring diagrams



Part Number	Part Description	Std. Pkg. Qty.	Std. Ctn. Qty.
ATDB9FS-8	9-pin DB connector kit female	1	50
ATDB9MS-8	9-pin DB connector kit male	1	50
ATRA8FS	25-pin DB connector kit female e/w two 3.500" red straps	1	50
ATRA8MS	25-pin DB connector kit male e/w two 3.500" straps	1	50

Connector Kit

- Type "D" male and female connectors with 9, 15 and 25-pin formats
- Grey plastic shell, crimp-type contacts, metal strain relief and assembly hardware



Part Number	Part Description	Std. Pkg. Qty.	Std. Ctn. Qty.
ATD9FCK	Connector kit 9-pin female	1	50
ATD9MCK	Connector kit 9-pin male	1	50
ATD15FCK	Connector kit 15-pin female	1	50
ATD15MCK	Connector kit 15-pin male	1	50
ATD25FCK	Connector kit 25-pin female	1	50
ATD25MCK	Connector kit 25-pin male	1	50